

DARC HV STG (781 110)



Figure without obligation

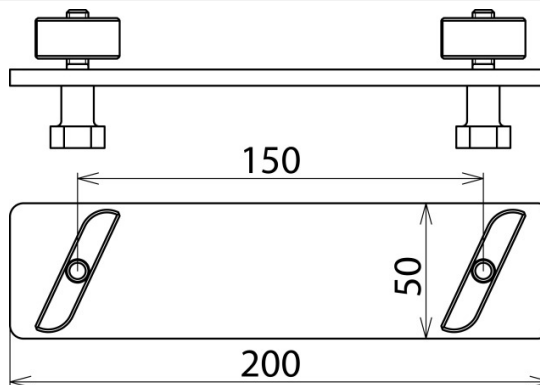


Figure without obligation

The retaining device is connected to the DIN rail by means of the two plastic locking bolts.

Type	DARC HV STG
Part No.	781 110
Material	Plastic
Weight	105 g
Customs tariff number (Comb. Nomenclature EU)	85389099
GTIN	4013364149120
PU	1 pc(s)

We reserve the right to introduce changes in performance, configuration and technology, dimensions, weights and materials in the course of technical progress. The figures are shown without obligation.

For more detailed information on the arc fault protection system DEHNarc, see installation instructions No. 1749.