

DARC KSP (781 020)

- Short-circuiting cartridge with disconnecter cover for use in NH fuse switch disconnectors and for short-circuiting after receiving the signal of the control unit



Figure without obligation

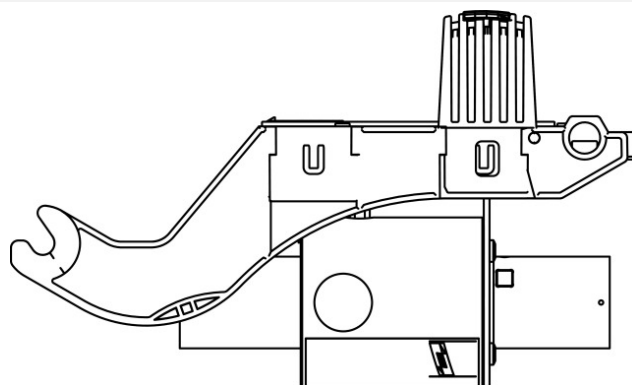


Figure without obligation

Type Part No.	DARC KSP 781 020
Nominal voltage (U _N)	230 / 400 V
Frequency	50 Hz
System configurations	TN, TT
Overtoltage category	CAT IV
Rated impulse withstand voltage	6 kV
Prospective short-circuit current	2-25 kA
Min. short-circuit time at 25 kA	70 ms (typically 100 ms)
Dynamic short-circuit strength	2.1 x 25 kA = 52.5 kA (peak value)
Size	NH 3
Degree of protection	IP 20 (IP 30 in an installed / connected state)
Max. height of fall	0.25 m
Weight	1,36 kg
Customs tariff number (Comb. Nomenclature EU)	85365080
GTIN	4013364148451
PU	1 pc(s)

We reserve the right to introduce changes in performance, configuration and technology, dimensions, weights and materials in the course of technical progress. The figures are shown without obligation.

For more detailed information on the arc fault protection system DEHNarc, see installation instructions No. 1749.