

## DARC TRM (781 010)

- Disconnecting blade with disconnecter cover for use in NH fuse switch disconnectors. Galvanic connection between the busbar and the control unit



Figure without obligation

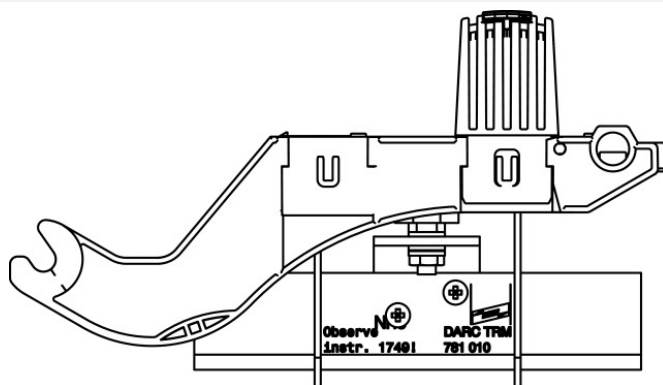


Figure without obligation

| Type<br>Part No.                              | DARC TRM<br>781 010                             |
|---|---|
| Nominal voltage (U <sub>N</sub> )             | 230 / 400 V                                     |
| Frequency                                     | 50 Hz   |
| System configurations                         | TN, TT  |
| Overtoltage category                          | CAT IV  |
| Rated impulse withstand voltage               | 6 kV  |
| Prospective short-circuit current             | 2-25 kA   |
| Min. short-circuit time at 25 kA              | 70 ms (typically 100 ms)                        |
| Dynamic short-circuit strength                | 2.1 x 25 kA = 52.5 kA (peak value)              |
| Size  | NH 3  |
| Degree of protection                          | IP 20 (IP 30 in an installed / connected state) |
| Max. height of fall                           | 0.25 m  |
| Weight  | 516 g   |
| Customs tariff number (Comb. Nomenclature EU) | 85389099  |
| GTIN  | 4013364148444                                   |
| PU  | 1 pc(s)   |

We reserve the right to introduce changes in performance, configuration and technology, dimensions, weights and materials in the course of technical progress. The figures are shown without obligation.

For more detailed information on the arc fault protection system DEHNarc, see installation instructions No. 1749.